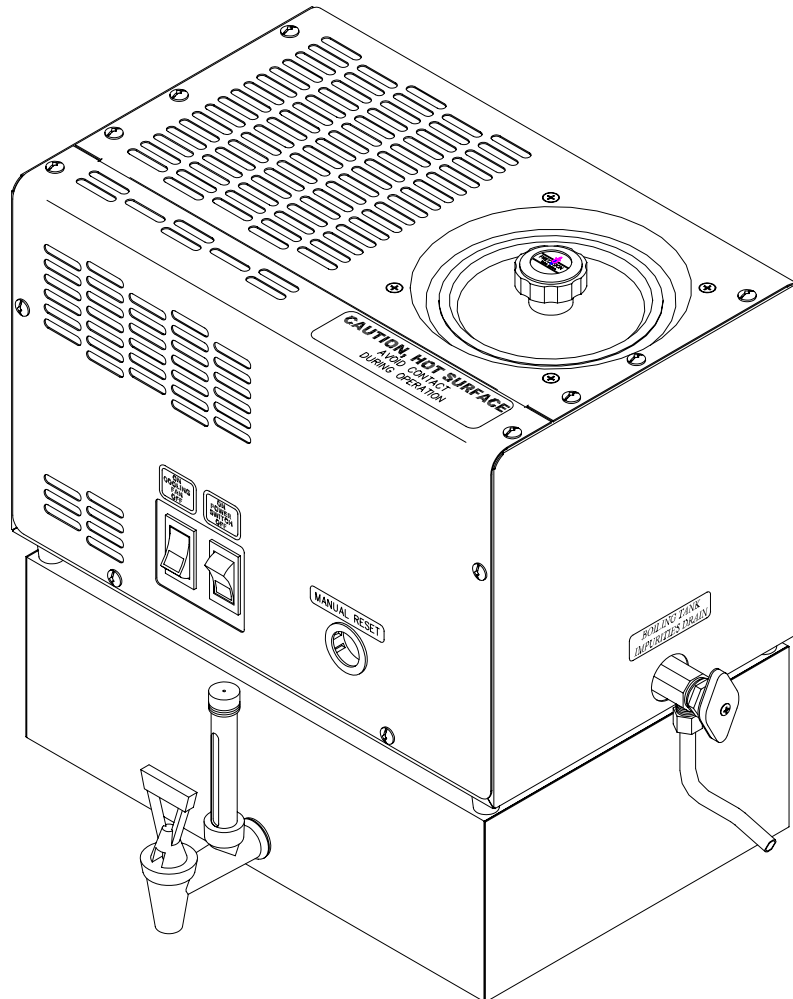




REPLACEMENT PARTS MANUAL

FOR MODEL: PWS 5-3(120VAC) & PWS 5-3(240VAC)
PART # 500028 500029
SERIES 0013 0013



PRECISION WATER SYSTEMS WATER DISTILLER

MANUFACTURED BY:
PRECISION DESIGN & MANUFACTURING INC.
10331 - 105th STREET
WESTLOCK, ALBERTA, CANADA, T7P 2H7
e-mail: pdm@telusplanet.net
PHONE (780) 349-4933
FAX (780) 349-4957

04/08/04

PAGE 1

097066S13A

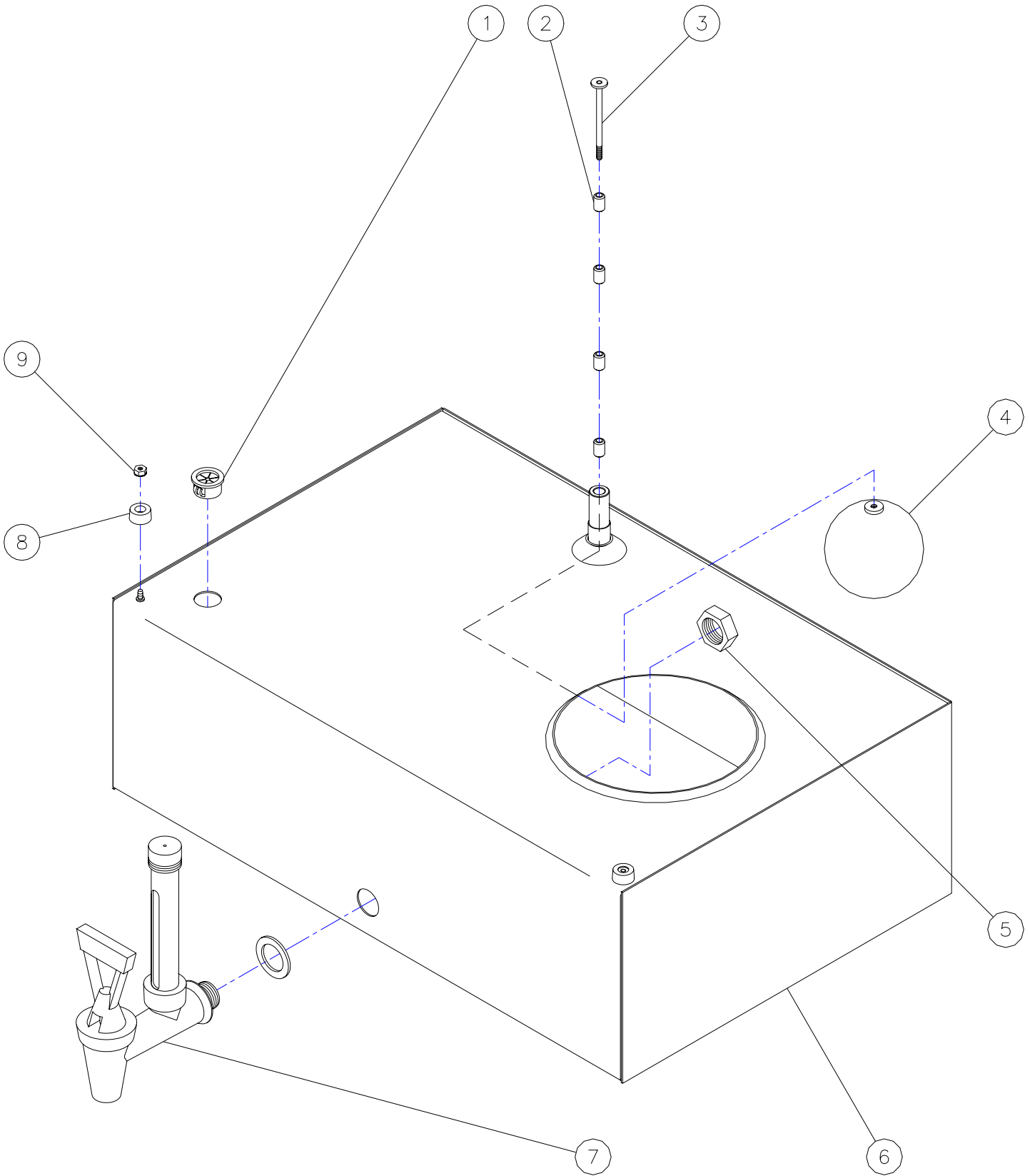
TABLE of CONTENTS

	<u>Page</u>
1. 094181 Holding Tank Assembly, 5-3 Automatic	4 & 5
2. 094182 Boiler Assembly, 5GPD Automatic	6 & 7
3. 094183 Distiller Body Assembly, 5GPD Automatic	8 & 9
4. 094184 5GPD Solenoid Valve Assembly	10 & 11
5. 094185 Distiller Head Assembly, 5GPD Automatic	12 & 13
6. 094186 Boiling Tank & Holding Tank Lids Assemblies, 5-3	14 & 15
7. 094109 Electrical Terminals	16 & 17
8. 500345 Wiring Schematic	18 & 19

094181, Exploded Parts List Holding Tank Assembly, PWS, 5-3 Automatic

Item #	Part #	Description	Qty
1	054005	Bushing, Wire, 5/8"	1
2	080127	Bushing, Nylon	4
3	500353	Float Rod WA, Holding Tank, 5-3	1
4	080162	Float Ball, SS, 2-1/4" Round, #6-32	1
5	080132	Nut, Jam, 3/8", Black	1
6	500343	Holding Tank WA, 5-3	1
7	080078	Valve, Holding Tank, 4" (includes nut & washer)	1
8	054016	Foot, 1/2" X 1/4", Rubber, Black	2
9	026003	Nut, kep, Plated, #4-40	2

094181, Exploded Parts List Holding Tank Assembly, PWS, 5-3 Automatic



094182, Exploded Parts List Boiler Assembly, 5GPD Automatic

Item #	Part #	Description	Qty
1	500182	Clip, Heater, Studded	1
2	018009	Washer, 5/16" x 1-1/4" x 18ga SS	1
3	025000	Nut, Hex, 1/4" SS	5
4	016014	Set Screw, Black, #6-32 x .25", Cup Pt.	2
5	500278	Bar Actuator, Boiler Float	1
6	060058	Microswitch, Short Roller Arm	1
7	026003	Nut, Kep, #4-40	4
8	025002	Nut, Hex, 1/4" Plated.	9
9	500153	Cover, Reset, SS	1
10	500408	Plate, Reset Switch, 66TM, Lexan	1
11	060104	Switch, Thermo, Manual Reset, DPST, RT	1
12	018004	Washer, 5/16" x 11/16" x 20ga SS	13
13	060089	Heating Element, 125V, 800W	1
	060034	Heating Element, 220V, 800W	1
14	500100	Gasket, Heater	1
15	500340	Boiler WA, 5GPD Auto	1
16	080128	O-Ring, 1/16" x 1/8" x 1/4"	2
17	020002	Washer, Lock, SS, M3.5, External Tooth	1
18	080127	Bushing, Nylon	3
19	012003	Screw, Machine, Pltd, #4-40 x 3/4"	4
20	500266	Plate, Microswitch	1
21	500289	Shim, Micro Switch	1
22	060059	Microswitch, Long Arm, Formed	1
23	080162	Float Ball, SS, 2-1/4" Round, #6-32	1
24	500398	Rod WA, Boiler Float, Auto	1

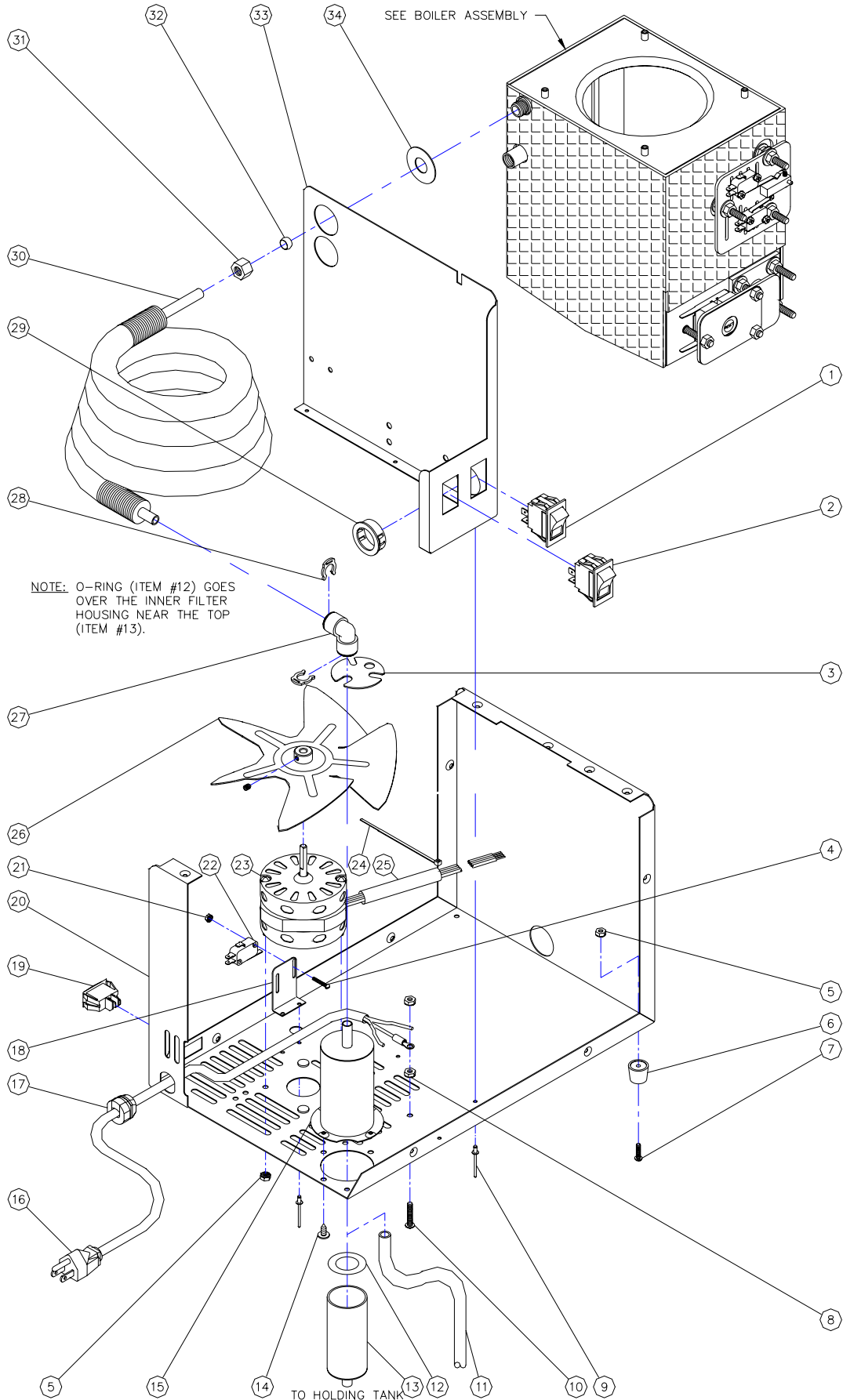
094183, Exploded Parts List

Distiller Body Assembly, PWS, 5GPD Automatic

Item #	Part #	Description	Qty
1	060014	Switch, Rocker, Red, 120/240V	1
2	060013	Switch, Rocker, Clear, 120/240V	1
3	500282	Plate, JG Removal Tool	1
4	012003	Screw, Machine, Plated, #4-40 X 3/4"	2
5	026001	Nut, Kep, Plated, #8-32	6
6	500194	Leg, Plastic, 3/4" O.D. X 5/8" High, Drilled	4
7	012012	Screw, Machine, Plated, #8-32 X 5/8"	4
8	026000	Nut, Kep, Plated, #10-24	2
9	016004	Rivet, Aluminum, 1/8" x 5/16"	6
10	012000	Screw, Machine, Plated, #10-24 x 1"	1
11	052002	Tubing, PVC, 5/16" X 7/16"	2'
12	080161	O-Ring, 1/4" X 1-3/8" X 1-3/4", Viton	1
13	500205	Filter, Inner Housing, 5-3	1
14	010000	Screw, Sheet Metal, #10-12 X 1/2", SS	4
15	500204	Filter, Outer Housing, GGN-2000	1
16	500295	Power Cord, 5-3, 120V	1
	500181	Power Cord, 5-3, 220V	1
17	054002	Strain Relief, 7K-2	1
18	500344	Plate, Microswitch, SS	1
19	060057	Switch, VISI, SPST, Black, RA911	1
20	500334	Body, 5-3, Automatic	1
21	026003	Nut, Kep, #4-40	2
22	400006	Microswitch, Short Arm	1
23	500350	Motor Assembly, 120V, 5GPD, Auto	1
24	054011	Wire Tie, Plastic, 4"	Ref.
25	080108	Sleeve, Fiberglass, 1/2"	0.271'
26	080045	Fan Blade, 7"	1
27	034013	Elbow, 90 Degree, 3/8" JG Both Ends	1
28	034021	Locking Clip, 3/8" JG	2
29	054004	Bushing, Snap, 1-1/4"	1
30	500177	Cooling Coil Assembly, 5-3	1
31	030013	Nut, Plated, 3/8" Compression	1
32	030012	Ferrule, 3/8"	1
33	500335	Divider, 5-3, Automatic	1
34	018023	Washer, Flat, 5/8" X 1-1/2", 20ga. SS	1

094183, Exploded Parts List

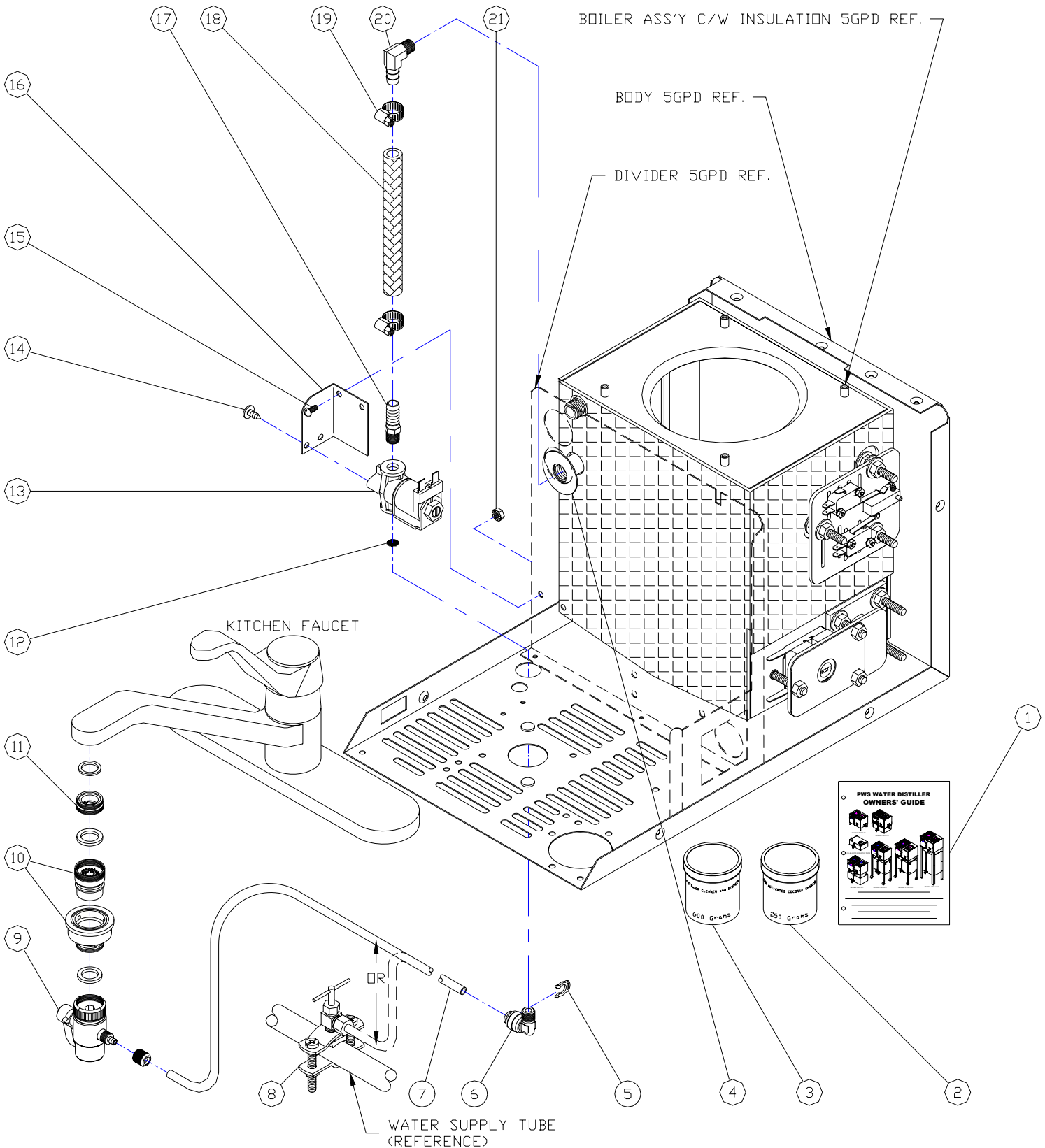
Distiller Body Assembly, PWS, 5GPD Automatic



094184, Exploded Parts List 5GPD Solenoid Valve Assembly

Item #	Part #	Description	Qty
1	097067	Owners Guide, PWS 5-3 Distiller	1
2	500106	Charcoal, PWS, 250g Jar Of	1
	500107	Charcoal, PWS, 600g Jar Of	Ref.
3	500102	Descaler, PWS, 600g Jar Of	1
	500103	Descaler, PWS, 1.6Kg Jar Of	Ref.
4	018023	Washer, Flat, 5/8" X 1-1/2" X 20ga, SS	1
5	034009	Locking Clip, 1/4" JG	1
6	034006	Elbow, 90 Degree, 1/8" MPT X 1/4" JG	1
7	052000	Tubing, 1/4" Feed-line	16'
8	036005	Valve, Self Piercing Kit	1
9	036010	Valve, Diverter, Faucet, 1/4"	1
10	036011	Connector, Faucet, Snap, 2 Pieces	1
11	036012	Faucet Adapter Kit, Brass, 4 Pieces	1
12	080197	Screen, 50 Mesh, Solenoid Valve	1
13	060026	Solenoid Valve, 1/8" FPT, Both Ends, 120V	1
	060027	Solenoid Valve, 1/8" FPT, Both Ends, 240V	1
14	010000	Screw, Sheet Metal, SS, #10-12 X 1/2"	2
15	012012	Screw, Machine, Plated, #8-32UNC X 5/8"	2
16	500166	Bracket, Solenoid Valve	1
17	034024	Coupler, Nylon, 1/8" MPT X 3/8" HB	1
18	052004	Tubing, 3/8" X 0.6" Braided	.417'
19	080056	Gear Clamp, SS, 1/4"	2
20	030003	Elbow, 90 Degree, 1/8" MPT X 3/8" HB	1
21	026001	Nut, Kep, Plated, #8-32UNC	2

094184, Exploded Parts List 5GPD Solenoid Valve Assembly

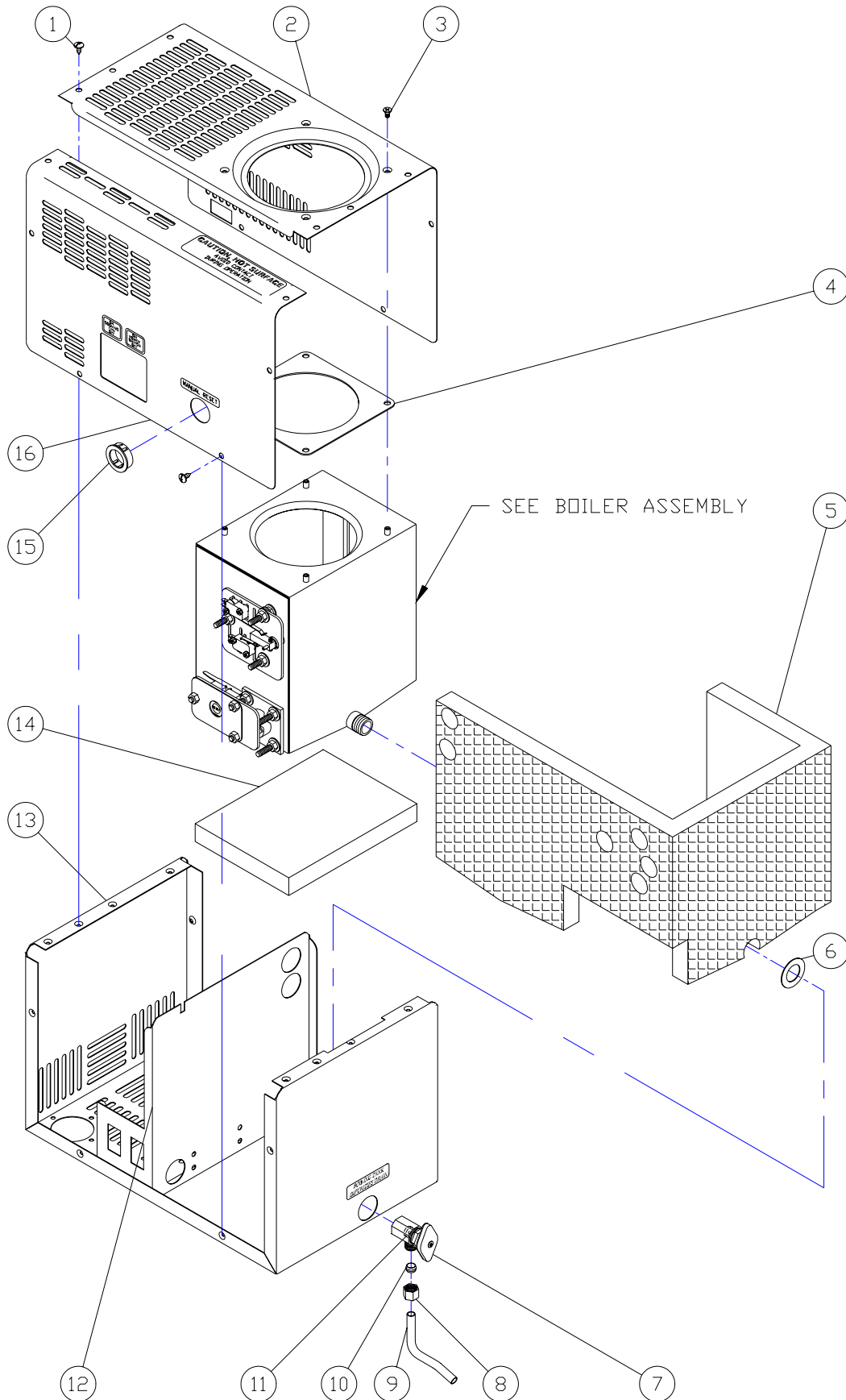


094185, Exploded Parts List

Distiller Head Assembly, PWS, 5GPD Automatic

Item #	Part #	Description	Qty
1	010000	Screw, Sheet Metal, #10-12 X 1/2", SS	16
2	500337	Cover, Rear, 5-3, Auto	1
3	012008	Screw, Mach, #10-24 X 3/8", Oval Head	4
4	500111	Gasket, Lid	1
5	500348	Insulation, 5-3, Boiler Sides	1
6	018002	Washer, Flat, 7/8" X 1-1/2" X 20ga, SS	1
7	400000	Drain Valve, Impurities	1
8	036013	Nut, Compression, 3/8" Plated	1
9	500212	Tube, Manual Drain	1
10	030012	Ferrule, 3/8"	1
11	080065	Washer, Impurities Drain Valve	1
12	500335	Divider, 5-3, Auto	1
13	500334	Body, 5-3, Auto	1
14	500215	Insulation, 8GPD Manual Boiler Bottom	1
15	054004	Bushing, Snap, 1.25"	1
16	500336	Cover, Front, 5-3, Auto	1

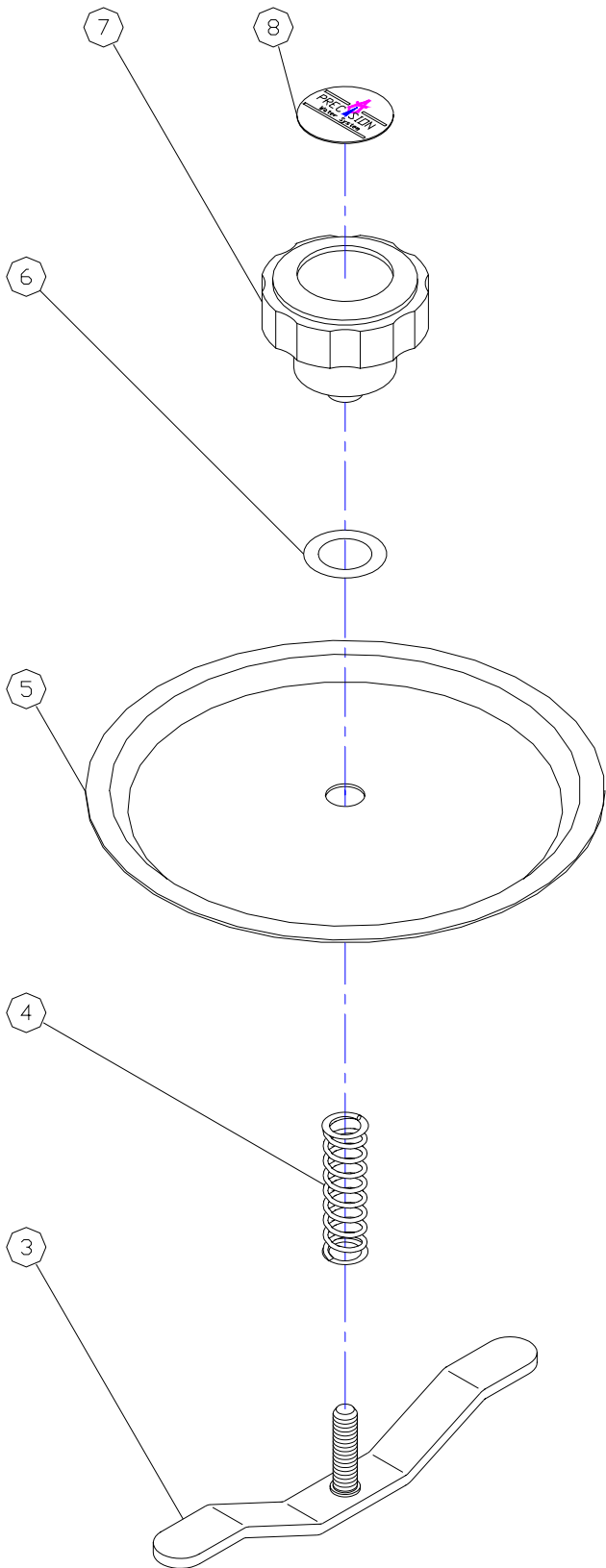
094185, Exploded Parts List Distiller Head Assembly, PWS, 5GPD Automatic



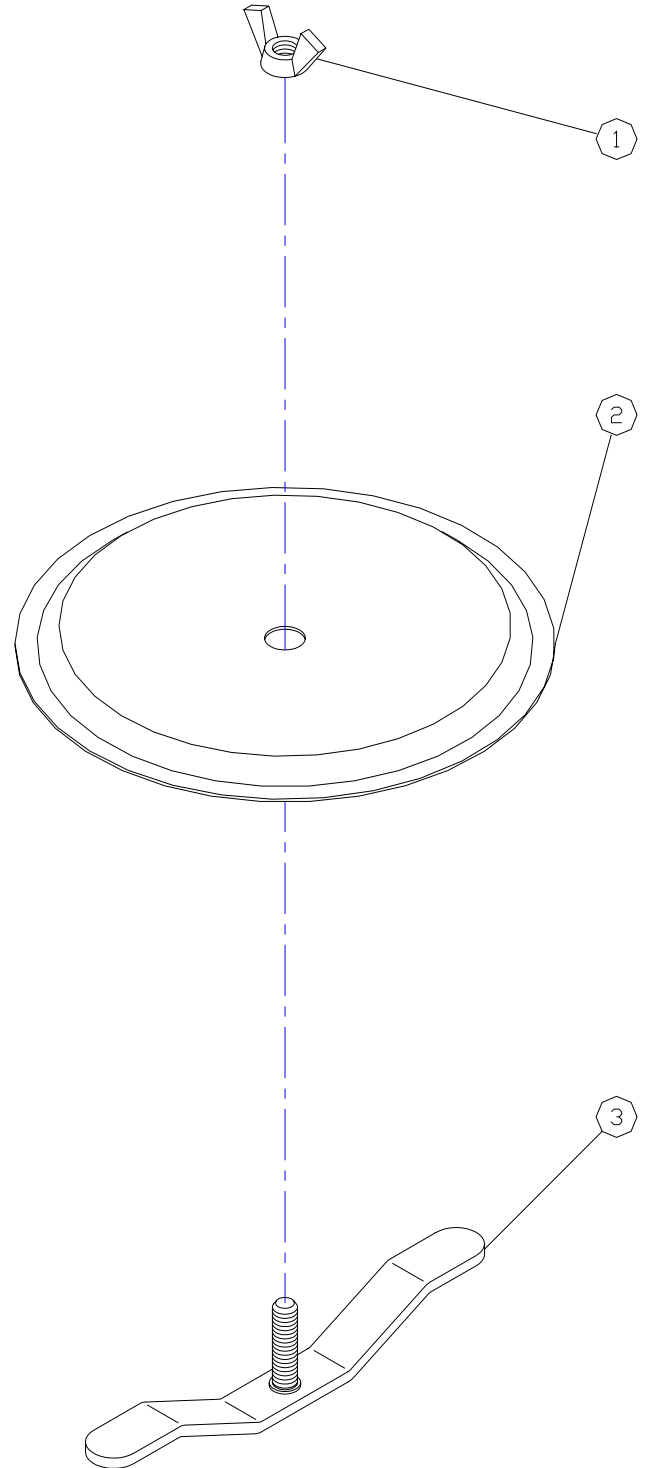
094186, Exploded Parts List
Boiling Tank & Holding Tank Lids Assemblies, PWS, 5-3

<u>Item #</u>	<u>Part #</u>	<u>Description</u>	<u>Qty</u>
1	028002	Nut, Wing, 1/4", SS	1
2	500119	Lid, H/T, Disc, SS, 5.5"	1
3	500115	Tee Bar, Studded, 5.5"	2
4	080058	Spring, BT, Lid, SS	1
5	500118	Lid, B/T, Disc, SS, 5/5"	1
6	080064	O-Ring, Lid Knob, Buna 112	1
7	080053	Knob, Black Phenolic, 1/4-20	1
8	080106	Inlay, Knob, PWS	1

094186, Exploded Parts List Boiling & Holding Tank Lids Assemblies, PWS, 5-3



BOILING TANK
LID ASSEMBLY, PWS
(PART # 500184)



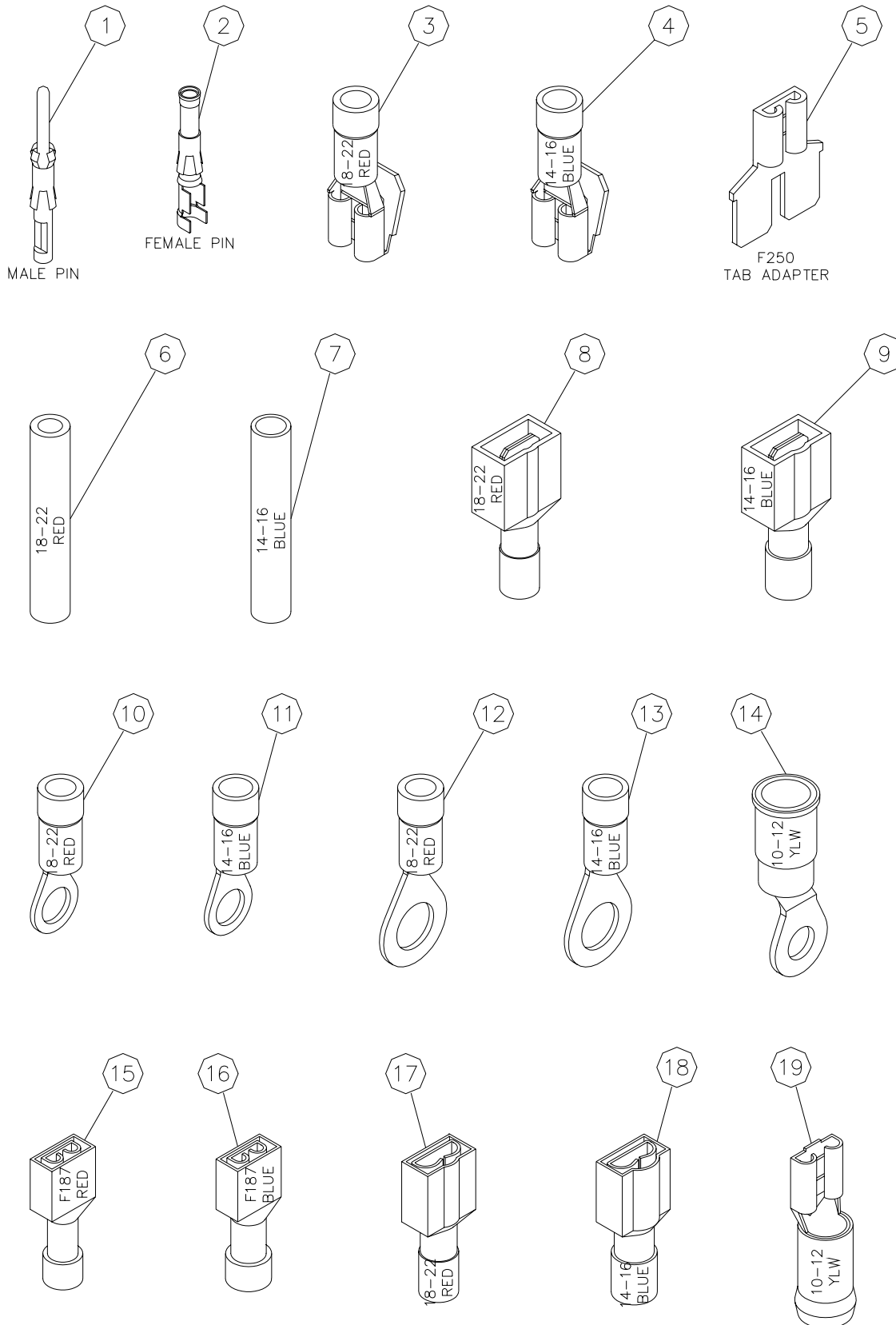
HOLDING TANK
LID ASSEMBLY, 5-3
(PART # 500180)

094109, Exploded Parts List Electrical Terminals

Item #	Part #	Description
1	060016	Pin, Male, Circular
2	060017	Pin, Female, Circular
3	066014	Receptacle, Pigg, F250, #18-22 AWG, Red
4	066004	Receptacle, Pigg, F250, #14-16 AWG, Blue
5	066013	Tab Adapter, F250
6	066006	Butt Splice, #18-22 AWG, Red
7	066005	Butt Splice, #14-16 AWG, Blue
8	066012	Tab, 250, #18-22 AWG, Red
9	066011	Tab, 250, #14-16 AWG, Blue
10	066008	Ring, #10, #18-22 AWG, Red
11	066007	Ring, #10, #14-16 AWG, Blue
12	066010	Ring, ¼", #18-22 AWG, Red
13	066009	Ring, ¼", #14-16 AWG, Blue
14	066016	Ring, #10, #10-12 AWG, Yellow
15	066003	Receptacle, F187, #18-22 AWG, Red
16	066001	Receptacle, F187, #14-16 AWG, Blue
17	066002	Receptacle, F250, #18-22 AWG, Red
18	066000	Receptacle, F250, #14-16 AWG, Blue
19	066015	Receptacle, F250, #10-12 AWG, Yellow

094109, Exploded Parts List

Electrical Terminals



Wiring List - Precision Pure 5-3 -120V Part # 500345

No.	Part#	Color	Ga	Length	From Conn.	ToConn.	From Location	To Location
1	500295	GRN	16	3"	#10RING#14-#16	POWER CORD	GROUND	POWER CORD
2	500295	BLK	16	4"	F250 #14-#16	POWER CORD	POWER SWITCH "B"	POWER CORD
3	500295	WHT	16	8"	#10RING#14-#16	POWER CORD	RESET SWITCH #4	POWER CORD
4	500350	BLKor	18	14"	#10RING#18-#22	FAN MOTOR (ORG/BLU)	HEATING ELEMENT "A"	FAN MOTOR
5	500350	BLKor	18	6"	F250 #18-#22&PIGG#18-#22	FAN MOTOR (YLW/WHT)	FAN SWITCH "C"	FAN MOTOR
6	095026	RED	16	7"	#10RING#14-#16	F187 #14-#16	RESET SWITCH #1	Lower Microswitch COM (B/T)
7	095089	BLK	16	18"	#10RING#14-#16	F187 #14-#16	RESET SWITCH #2	Microswitch COM (H/T)
8	095090	BRN	16	14"	#10RING#14-#16	F250 #14-#16	RESET SWITCH #1	SOLENOID VALVE "A"
9	095091	WHT	16	5"	#10RING#14-#16	#10 RING #14-#16	RESET SWITCH #3	HEATING ELEMENT "B"
10	095092	BLU	16	9"	#10RING#14-#16	F250 #14-#16	RESET SWITCH #3	FAN SWITCH "B"
11	095093	YLW	16	18"	#10RING#14-#16	F250 #14-#16	RESET SWITCH #3	WATER SWITCH "A"
12	095094	RED	16	15"	F250 #14-#16	F187 #14-#16	POWER SWITCH "C"	Microswitch NC (H/T)
13	095010	WHT	16	3"	F250 #14-#16	PIGG#14-#16	POWER SWITCH "D"	FAN SWITCH "B"
14	095095	BRN	16	9"	#10RING#14-#16	F187 #14-#16	HEATING ELEMENT "A"	Lower Microswitch NC (B/T)
15	095096	WHT	16	12"	#10RING#14-#16	F250 #14-#16	HEATING ELEMENT "A"	FAN SWITCH "D"
16	095097	WHT	16	24"	F250 #14-#16	F187 #14-#16	WATER SWITCH "B"	Upper Microswitch NC (B/T)
17	095098	BLU	16	19"	F187 #14-#16	F250 #14-#16	Upper Microswitch COM (B/T)	SOLENOID VALVE "B"

500345, Exploded Parts List Wiring Diagram, PWS, 5GPD Auto

